



www.ranadokum.com.tr



PRODUCT CATALOGUE

ÜRÜN KATALOĞU





**GERMAN TYPE
ALUMINUM
INNER TO OUTER**

06



**GERMAN TYPE
ALUMINUM
OUTSIDE-TO-
OUTSIDE**

07



RUN TAPA

08



**HYDRANT
BLIND PLUG**

09



RUS TYPE

10



**HOSE
RECORD**

11



REDIGITION

12



**FIRE
VALVE**

13



**FIRE DEPARTMENT
CONNECTION
VALVE**

14



LANS

15



**CABINET
CENTER**

16

RANA[®]
METAL KALIP SANAYİ

RANAVALF[®]

About Us

RANA Casting Metal Mold Co., Ltd. has been operating in the fields of metal injection molding, machining, mold design, and manufacturing since 1983. Since its establishment, it has succeeded in becoming a reliable solution partner in its sector with its accumulated knowledge, experience, and strong technical staff.

Equipped with a modern machine park and a commitment to quality production, our company consistently delivers the best to its customers, prioritizing customer satisfaction in all its services.

Our Mission

To create sustainable value in the metal casting and mold manufacturing industry by providing our customers with reliable and innovative solutions that meet high quality standards. To closely follow technological developments, continuously improve the knowledge and skills of our employees, and maintain the highest level of customer satisfaction.

Our Vision

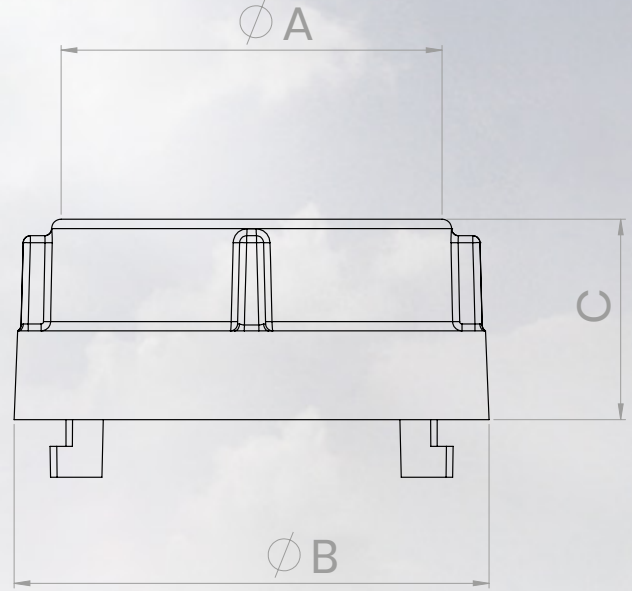
To be a pioneering, innovative, and reliable brand in our sector both nationally and internationally. To add value to the future as a company that drives technological developments, is environmentally conscious, customer-focused, and prioritizes quality at every stage.

www.ranadokum.com.tr



RANA[®]
METAL KALIP SANAYİ

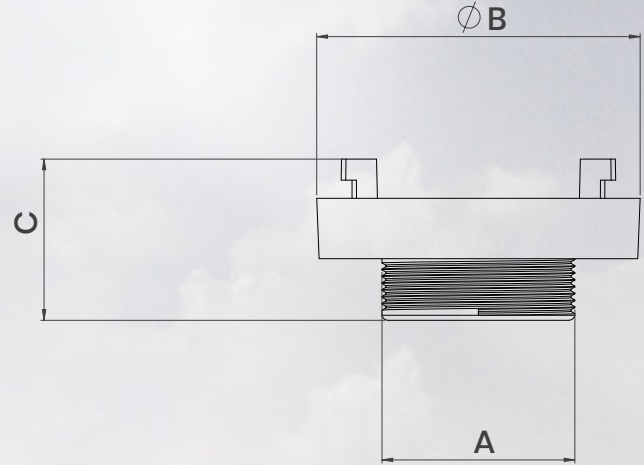
RNAVALF[®]



General Features

Connection Types: 1 • 1 1/2 • 2 • 2 - 2 1/2 • 2 - 1 1/2 • 2 1/2 - 2 • 2 1/2 • 4
Internal threaded connection records. Maximum working bar pressure is 24 bars.

Alman Tipi Alüminyum İçten Dişli	Ölçüler / Dimensions				
	COMMITMENT MEASURE	DN	A	B	C
1) 1007	1	40	30,50	55	30
2) 1003	1 1/2	50	45,5	80	36
3) 1002	2	65	57,3	97,50	37
4) 1001	2 - 2 1/2	65	72,9	97,50	41
5) 1005	2 - 1 1/2	65	45,70	97,50	37
6) 1004	2 1/2 - 2	80	57,30	125	41
7) 1014	2 1/2	80	72,90	125	41
8) 1006	4	100	110,50	180	63

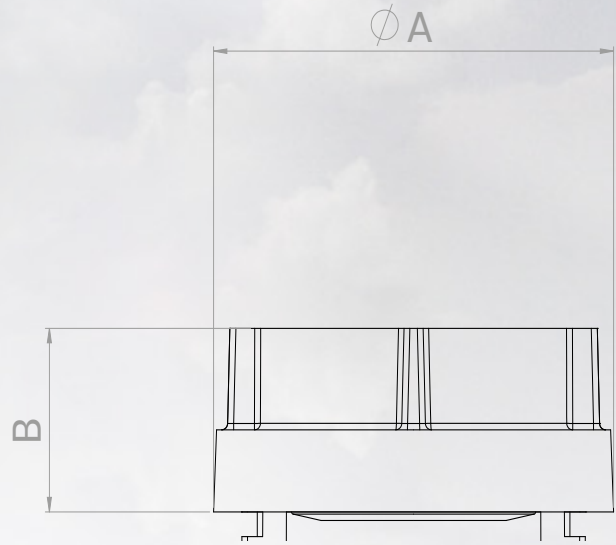


General Features

Connection Types: 2 • 2 • 2 - 2 1/2 • 2 1/2 • 2 1/2 • 2 1/2 • 4

External gear coupling flanges. Maximum working pressure is 24 bar.

Alman Tipi Alüminyum Dıştan Dişli		Ölçüler / Dimensions				
No - Code	COMMITMENT MEASURE	DN	A	B	C	Tip
1) 1013	2	50	59,50	98	37	Gear
2) 1012	2	50	59	97	37	Felted
3) 1011	2 - 2 1/2	50	74,54	98	37	Gear
4) 1016	2 1/2	65	74,50	127	37	Gear
5) 1015	2 1/2	65	74,50	127	37	Felted
6) 1017	2 1/2	65	71	127	37	NPT Gear
7) 1018	4	100	112	180	50	Gear

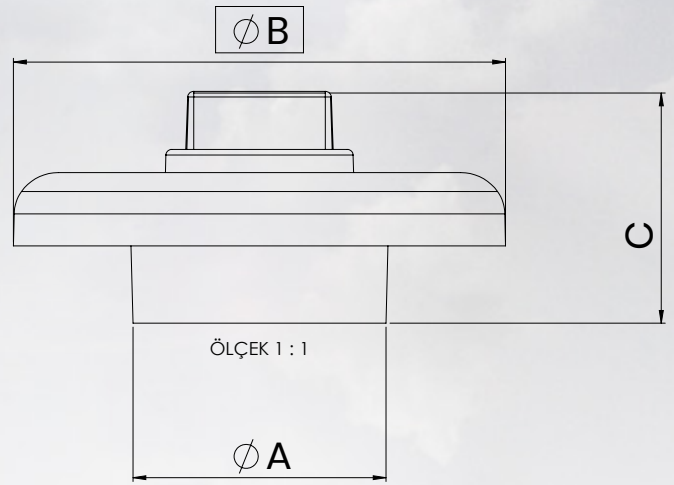


General Features

Connection Types: 2 • 2 1/2

The maximum working pressure is 24 bar.

Kör Tapa	Ölçüler / Dimensions			
No Code	COMMITMENT MEASURE	DN	A	B
1) 1021	2	50	97	41
2) 1022	2 1/2	65	124	44

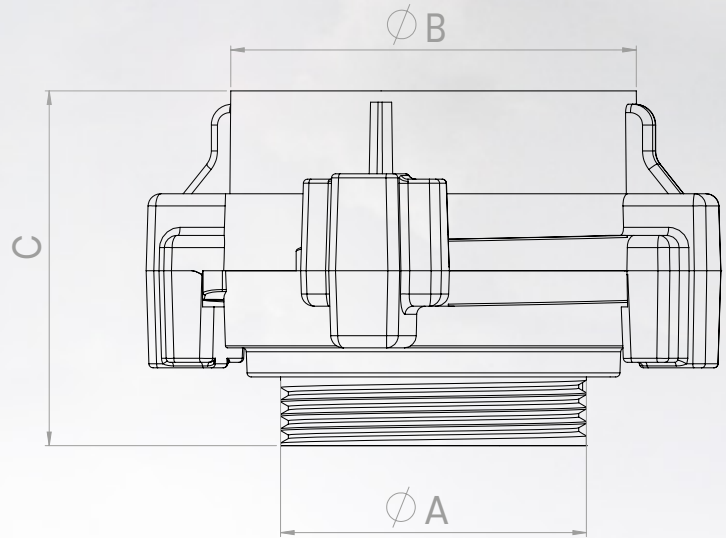


General Features

Connection Types: 2 • 2 1/2 Hidrand rekor kapakları.

The maximum working pressure is 24 bar.

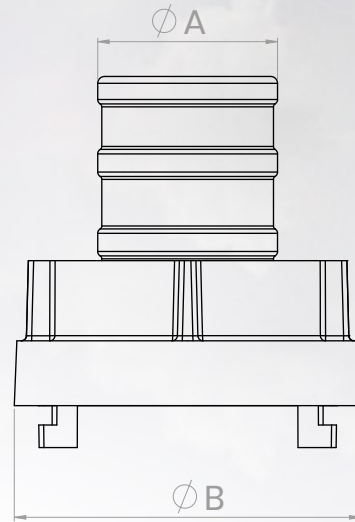
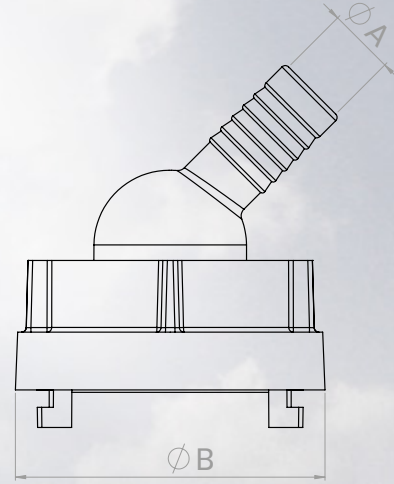
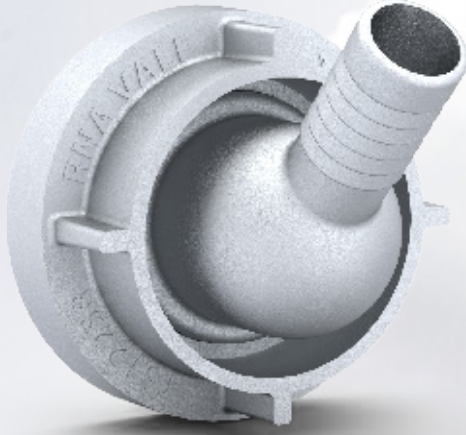
Hidrant Kör Tapa	Ölçüler / Dimensions				
No Code	COMMITMENT MEAS- URE	DN	A	B	C
1) 1041	2	50	49,50	99	61,50
2) 1042	2 1/2	65	64	127	59
3) 1043	4	100	99,50	197	70



General Features

Russian-type blind plug and record. Maximum working bar pressure

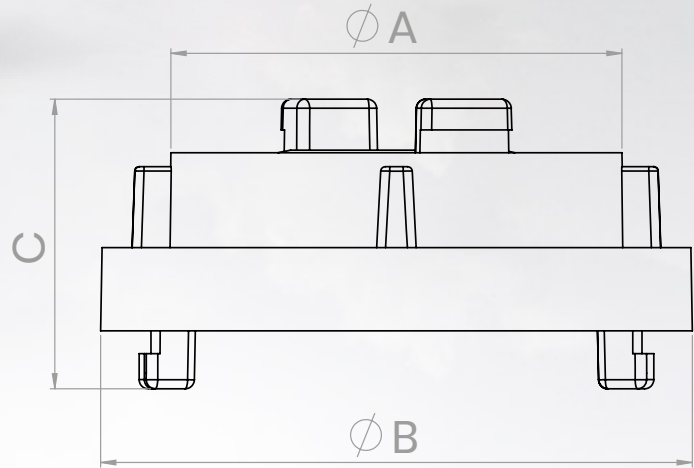
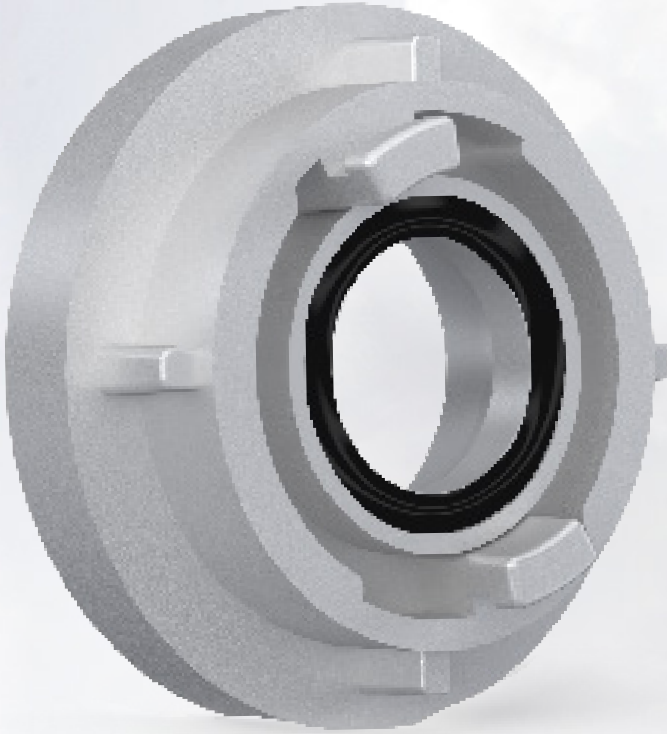
Rus Tipi Rökor Kör Tapa		Ölçüler / Dimensions		
No Code	COMMITMENT MEASURE	A	B	C
1) 1060	2 1/2	74,70	114	42
2) 1061	2 1/2	43	114	42



General Features

Connection Types: 1 • 2-1 1/2 • 2 • 2 1/2 hose connection fittings.
The maximum working pressure is 16 bar.

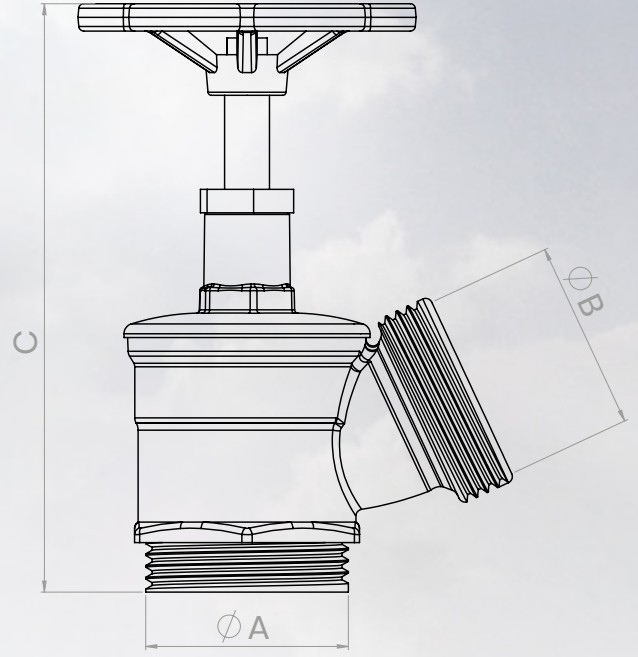
Hortum Bağlantı Rekorları	Ölçüler / Dimensions			
	COMMITMENT MEASURE	DN	A	B
1) 1026	1	32	28	98
2) 1023	2 - 1 1/2	50	25	98
3) 1024	2	50	30,80	98
4) 1025	2 1/2	65	65	125



General Features

2 1/2" reducer to 2". Maximum working pressure is 24 bar.

Redüksiyon	Ölçüler / Dimensions			
No Code	COMMITMENT MEASURE	A	B	C
1) 1062	2 1/2 " 2	98	128	62

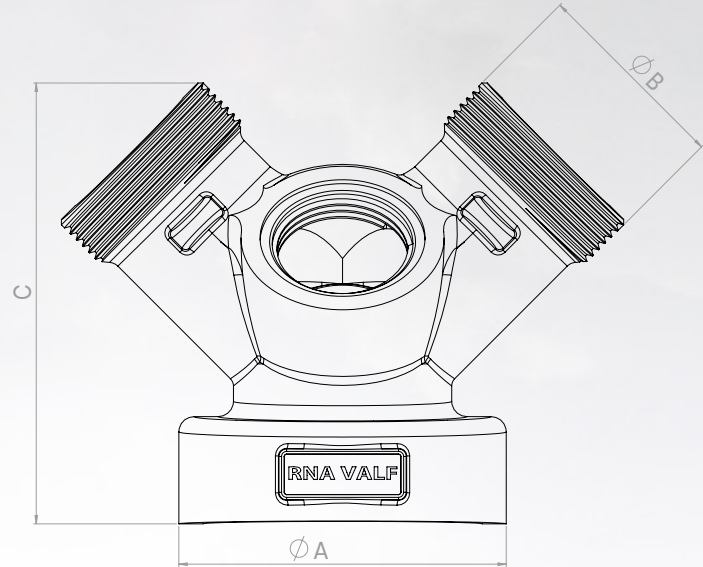


General Features

Connection Types: 2 • 211/2 • 21/2 piriç yangın vanası, TS 12259

The maximum working pressure is 24 bar.

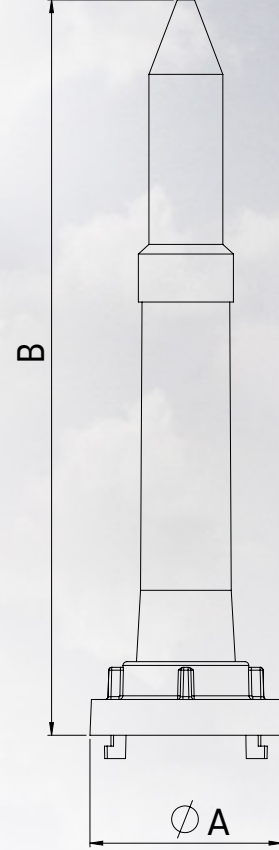
Yangın Vanası		Ölçüler / Dimensions				
No - Code	COMMITMENT MEASURE	DN	A	B	C	Tip
1) 1070	2	50	59	59	150	TSE
2) 1071	2	50	59	59	150	Lightweight Type
3) 1072	2 1 1/2	50	59	47	150	Lightweight Type
4) 1073	2 1/2	65	75	75	185	TSE



General Features

2 1/2 - 4 fire hose connection valves, center-mounted.
Maximum working pressure is 24 bar.

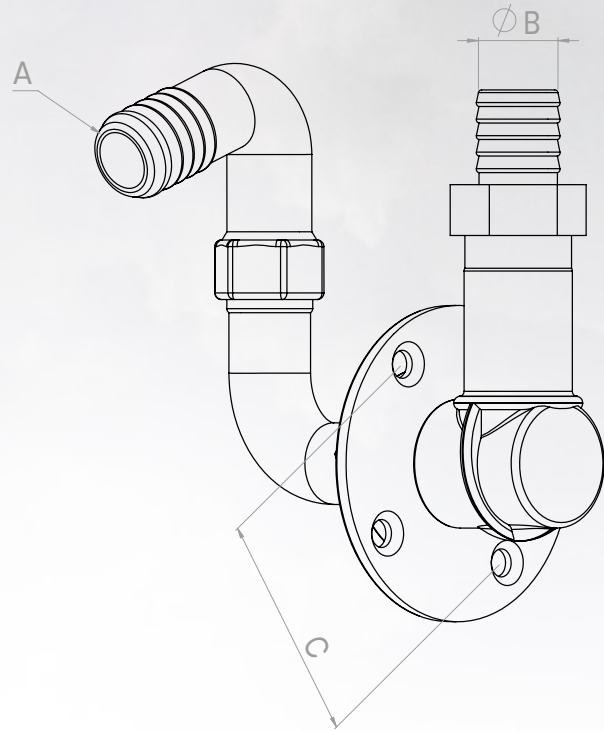
FIRE HOSE CONNECTION VALVE		Ölçüler / Dimensions			
No - Code	COMMITMENT MEASURE	DN	A	B	C
1) 1050	2 1/2	65	73	745	175
2) 1051	4	100	107	745	175



General Features

Connection Types: 2 • 2 1/2 They are connected with a German Storz coupling. Uncontrolled; it is a fire hose nozzle capable of direct discharge. Controlled; it has three settings: pulverize, spray, and straight discharge.

Lanslar		Ölçüler / Dimensions			
No - Code	COMMITMENT MEASURE	DN	A	B	Tip
1) 1080	2	50	99	35	Remote-free
2) 1081	2	50	99	35	Remote-controlled
3) 1082	2 1/2	65	125	40	Remote-free
4) 1083	2 1/2	65	125	40	Remote-controlled



General Features

Tambour hub flanged system.
Maximum working pressure is 24 bar.

Dolap Göbeği		Ölçüler / Dimensions			
No - Code	COMMITMENT MEASURE	A	B	C	TİP
1) 1052	1	25	25	73	Aluminum Pipe and Flange
2) 1053	1	25	25	73	Plastic Pipe and Flange



RANA[®]
METAL KALIP SANAYİ

RNAVALF[®]





www.ranadokum.com.tr





☎ (332) 249 40 86

✉ info@ranadokum.com.tr

📍 Fevzi Çakmak Mahallesi,
Şehit Mustafa Tünel Cad. B5 Blok
No:3/K Karatay/KONYA/TÜRKİYE

🌐 www.ranadokum.com.tr

